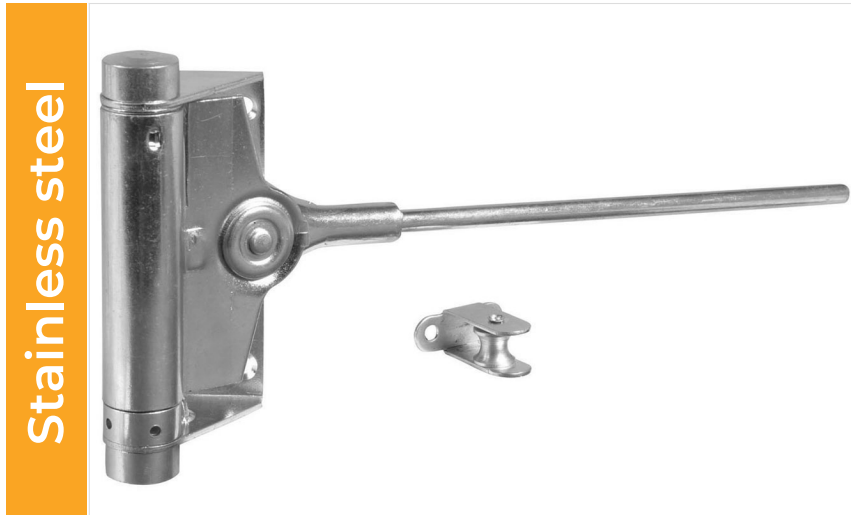




TECHNICAL DATA SHEET

ART. 091002I



DIMENSION

100mm

DESCRIPTION:

Spring door closer in stainless steel

FINISHING:

Stainless Steel

CATEGORY:

Hinges

MATERIAL:

Body: INOX (AISI 304)

Stainless steel

Door closer to be installed on wooden, steel or aluminum openings, half doors and complete doors. This product allows the opening of the door leaves in only one direction: inward or outward. They also assure the closing of the door after the passage in order to simplify the passage of people or materials.

On this door closer it can be regulated the strength of closing by operating on the tensioning of the internal spring, as reported in our product instructions. In order to obtain even more closing strength is possible to use more than one piece of this product.

for Doors	Temperature dependence
Max 40Kg	-10°C/+40°C
x1pc	Pass

The closing capacity is highly affected by the dimensions of the door leaf (width and height). This product is regularly tested about closing capacity and durability in our firm for minimum 200.000 working cycles, following the European norm UNI EN 1935. Our firm has been producing these products totally in Italy for more than 50 years in millions of pieces and deliver them worldwide with a lot of success and no problems.

The performances are intended for products correctly positioned, fixed, aligned and maintained in relation to the use, the positioning and the environmental conditions. The following factors can affect very much durability, performances and safety:

- The positioning and the alignment on an adequate support
- The correct mounting (screwing or welding) and regulation
- The regular lubrication, cleaning and maintenance (avoiding dirt, dust, rust, etc...)

I.B.F.M. suggest normal scheduled inspection, cleaning and maintenance of the products or eventually their substitution if damaged.

All the declared characteristics and performances refer to a product correctly installed by qualified personnel and regularly inspected, maintained and lubricated. I.B.F.M. declines any liability for even partial modifications to the product.

The company I.B.F.M. hereby declares that the above items are produced in Italy in conformity with the existing norms in force.

All pictures, technical drawings and related specifications are exclusive property of I.B.F.M. and they are defended by laws of copyright. Without the written agreement of I.B.F.M., all uses and reproductions will be legally prosecuted. I.B.F.M. reserve the right to make changes without notice and independently on product specifications and characteristics.

Signed for and on behalf of the manufacturer

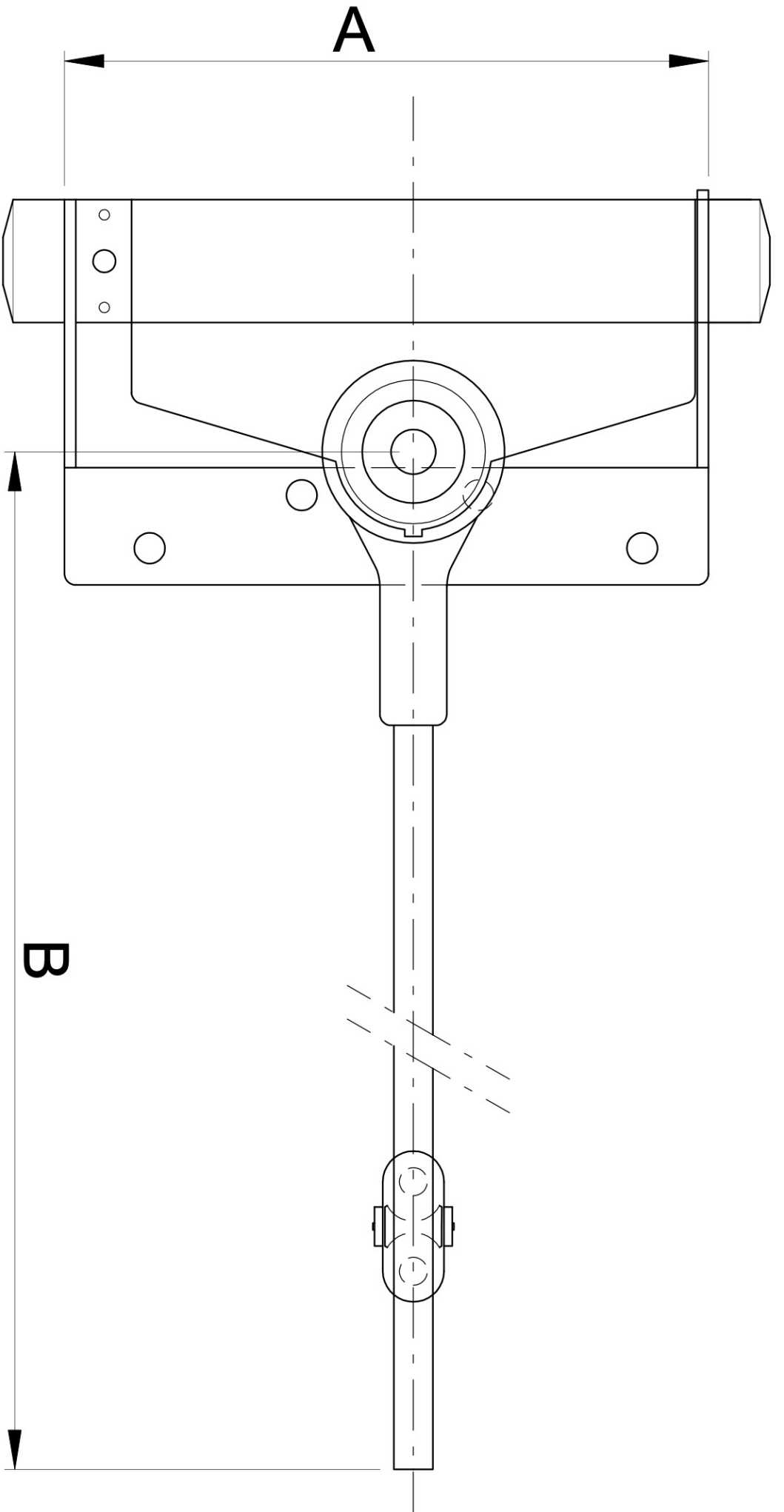
Desio, 05 dicembre 2022




ISO 9001



Industria Briantea Ferramenta Minuterie
Desio (MB) ITALY - www.ibfm.it



N°	2
A	100
B	240

ARTICOLO.	000911	REV.	0001	 20832 desio (MB) - Italy Via Lavoratori Autobianchi,18 +39-0362-627078/624502 Fax +39-0362-302692 ibfm@ibfm.it
DESCRIZIONE	Molla da porta tipo "TRIUMPH"	UNITÀ	mm	
PERCORSO	Disegni/Art.000911/Art.000911.dwg	SCALA	1:1	
DISEGNATORE	M.C.	DATA	21/11/2016	

Proprietà esclusiva di IBFM, S.r.l. che si riserva tutti i diritti a termine di legge con divieto d'uso e riproduzione senza l'autorizzazione scritta da parte dell'azienda. IBFM, S.r.l. si riserva il diritto di apportare modifiche senza preavviso e autonomicamente. Exclusive property of IBFM, S.r.l. which reserves all rights by law with the prohibition of use and reproduction without the written agreement of the company. IBFM, S.r.l. reserves the right to make changes without any notification and independently.